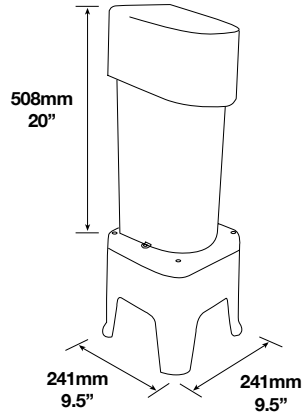


TECHNICAL SPECIFICATIONS SUPERVISION

VER. 1.2

SV150T



PROJECT:	_____
TYPE:	_____
VOLTAGE:	_____
NOTES:	_____

DESCRIPTION

SV150T - Tower illuminator 150 watt metal halide lamp 10,000 hour lamp life 550 strand fiber capacity. The base of illuminator is designed for burial with the fibers, electrical and control wires concealed under the base.

SPECIFICATION FEATURES

UL Listed: for Wet Locations

UL file No. E202257

Electrical Rating:

- 120 VAC, 60 Hz / 3 Amps (start up)
- 120 VAC, 60 Hz / 1.8 Amps (running)
- 220-240 VAC, 50 Hz / 3.0 Amps (start up)
- 220-240 VAC, 50 Hz / 1.2 Amps (running)

Lamp:

- 150 watt metal halide - 4,000K
- 10,000 hours average life

Fiber Capacity:

- 550 fibers maximum w/.75mm fibers -
- 288 fibers - Ultra SideGlow™ 1mm
- 756 fibers maximum (upgrade) .75mm
- 435 fibers maximum - Ultra SideGlow™ (upgrade) 1mm

Power Consumption:

- 200 watts max.

Storage Temperature:

- -40°F to 140°F
- -40°C to 60°C

Ambient Operating Temperature:

- -20°F to 110°F
- -29°C to 44°C

Motors:

- 1RPM motor

Dimensions:

- 9.5" x 9.5" x 20"
- 241mm x 241mm x 508mm

Weight:

- 21 lbs.
- 9.5 kg.

Material/Finish:

- UV stabilized materials
- Water, corrosion and chemical resistant

Mounting / Installation:

- Surface or burial mount up to area below fan location.

Standard Features:

- On/off power and color wheel switch

Ventilation:

- Forced ventilation 115 CFM, FAN: 20 Watts, 80,000 hrs. life 6" clearance required to nearest surface. 2' clearance between each illuminator.

Warranty:

- 2 Yr. (excluding lamp)

Upgrades:

- White only to 6 colors
- 550 - 756 fiber head
- RF controlled light source (surface)

Standards:

- UL / cUL

IP Rating: 23

dB Rating: 48dbA

ORDERING INFORMATION

MODEL 150T - 150 watt metal halide illuminator

POWER 120 - 120 VAC, 60Hz 220 - 220 VAC, 50 Hz

COLOR WHEEL N - None 6 - 6 standard